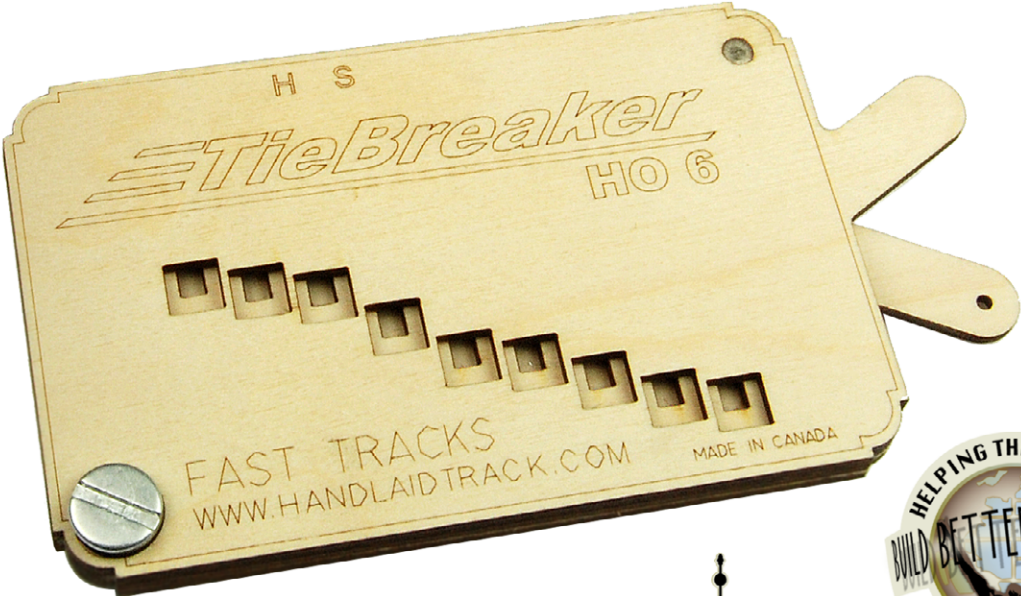
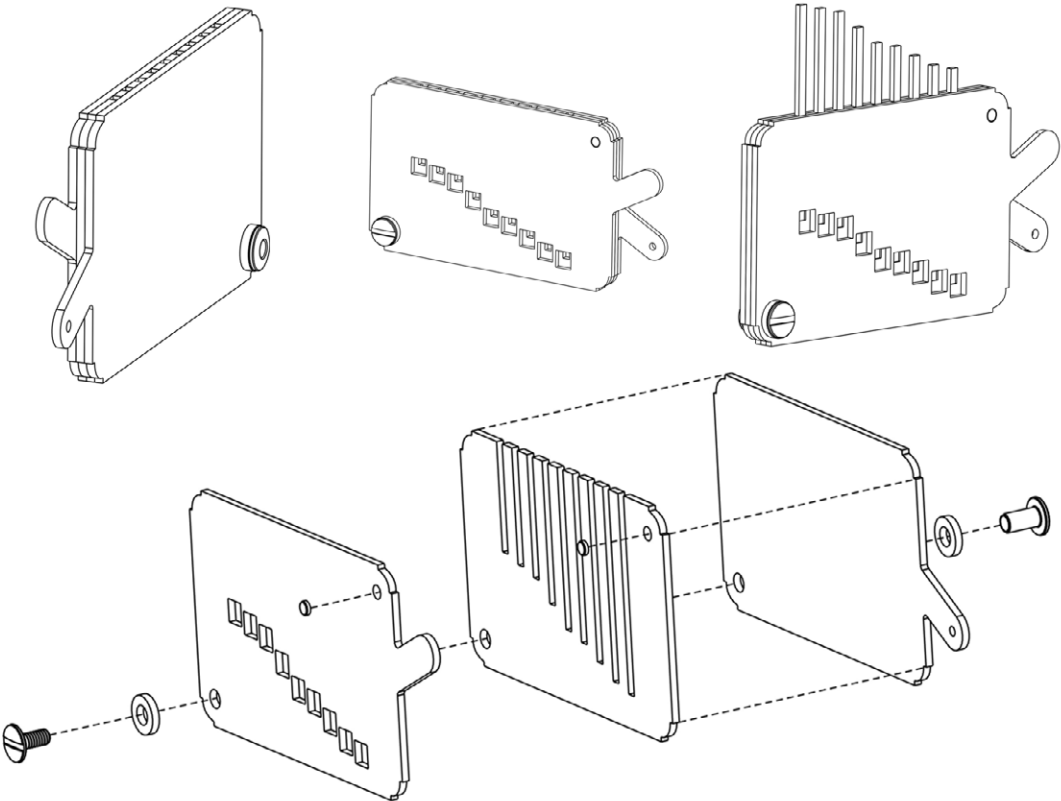


# Fast Tracks TieBreaker PC Board Cutting Tool



The TieBreaker tool is designed to cut PC Board ties to length for turnouts built in a Fast Tracks assembly fixture. Each tool is sized to work with a specific scale and turnout size.

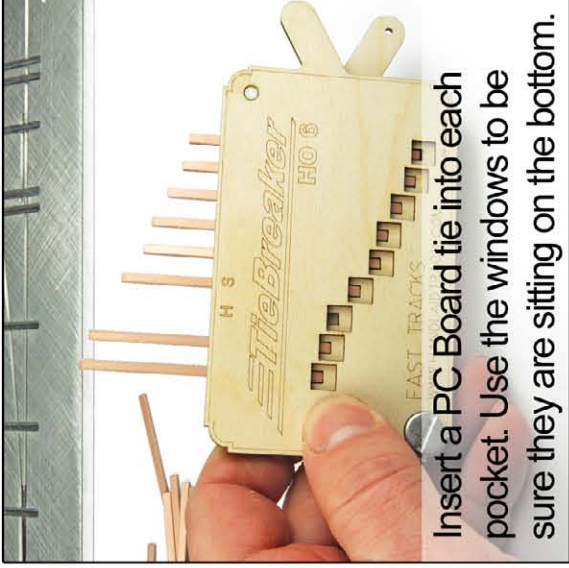
[www.fast-tracks.net](http://www.fast-tracks.net)  
[service@fast-tracks.net](mailto:service@fast-tracks.net)  
1-888-252-3895



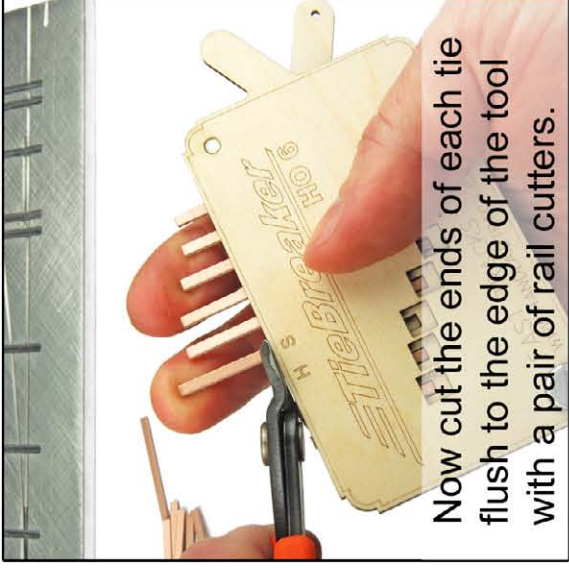
Assembly Required



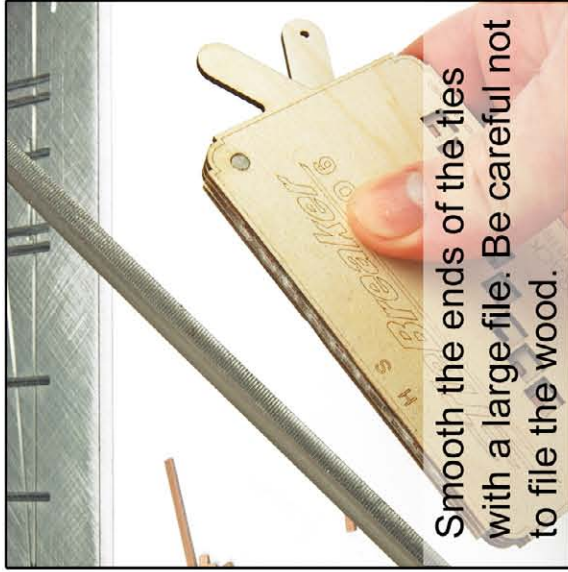
The TieBreaker is designed to cut the PC Board ties to the exact length you need for your turnout.



Insert a PC Board tie into each pocket. Use the windows to be sure they are sitting on the bottom.



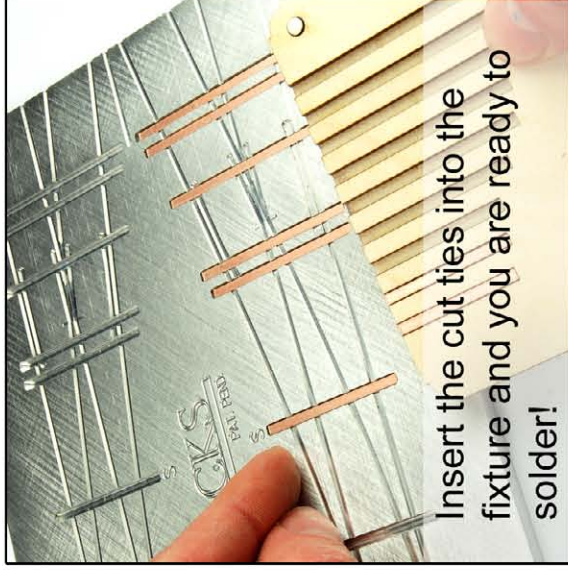
Now cut the ends of each tie flush to the edge of the tool with a pair of rail cutters.



Smooth the ends of the ties with a large file. Be careful not to file the wood.



Open the TieBreaker tool and remove the cut ties.



Insert the cut ties into the fixture and you are ready to solder!